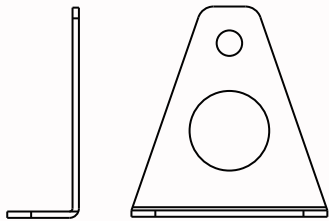


Accessory Package 1 (AP1)

Ref#: AP1- P1

1-Module Mounting Bracket



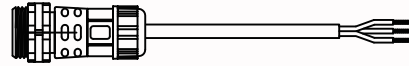
X 2

Side View

Front View

Ref#: AP1- P2

1-Module Waterproof Connection Cable

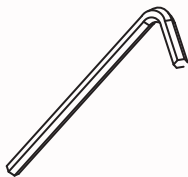


X 1

Length: 30 cm

Ref#: AP- T1

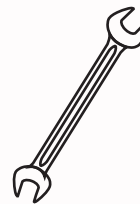
6mm Hexagonal Wrench



X 1

Ref#: AP- T2

13-15mm Double-Headed Wrench



X 1

Optional Accessories (not included in AP1)

Ref#: AP- PX

Steel Hanging Rope



X 2

Φ: 3.0mm Length: 100 cm

Ref#: AP- P0

**3-Pin Waterproof Cable Connector
(welding free)**



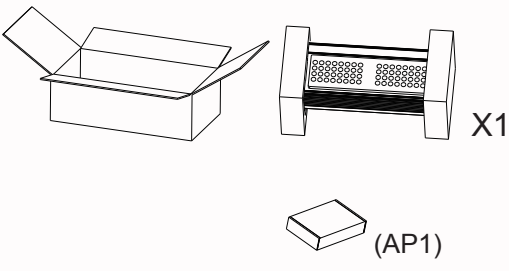
X 1

*To connect the input end of the fixture and the output end of power line (refer to next page for connection)

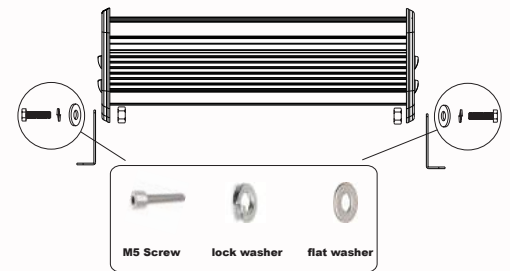
INSTALLATION INSTRUCTION

NOVA I 60W LED Modular Flood Light

LED Module

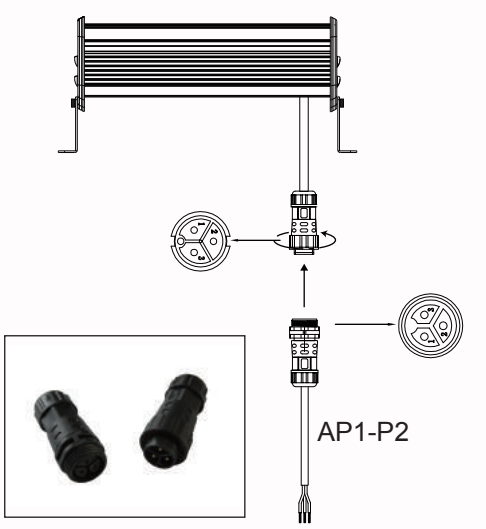


1 Get 1 standard 60W LED module and Accessory Package 1 (AP1) ready.

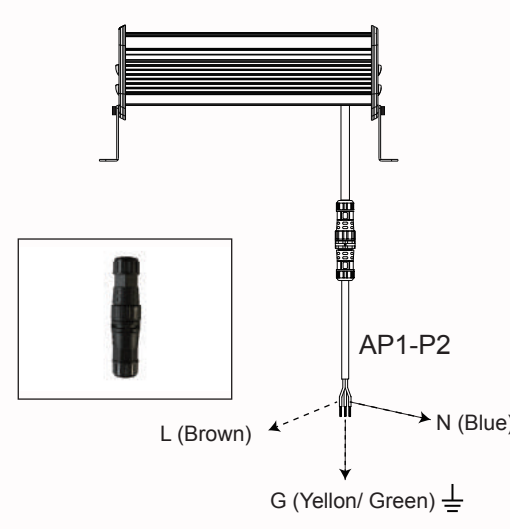


2 Release the screws on the LED module. Put 2 mounting brackets (AP1-P1) in between and screw down.

*be aware of the sequence of washers

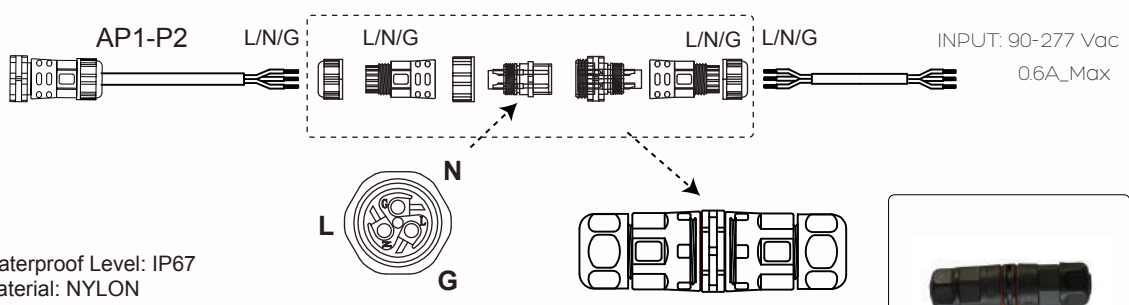


3 Attach the female connector on the cable (AP1-P2) to the male connector on the LED module, tighten the caps.



4 Connect the L/N/G wire of both 3-wire cable and power line accordingly. Waterproof cable connector (AP-P0) is strongly recommended. Please contact our sales representative to order.

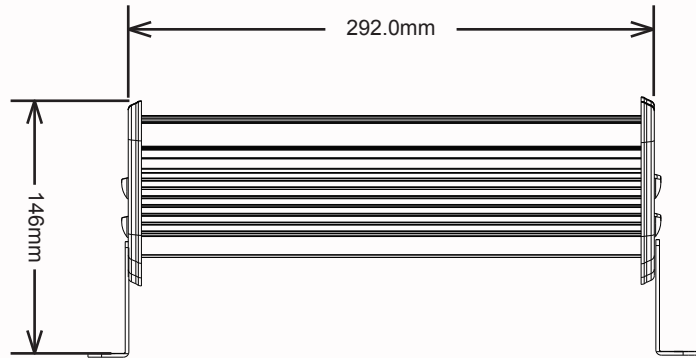
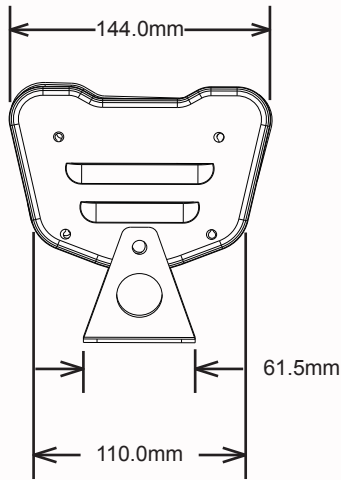
3-Core Waterproof Cable Connector (Ref#: AP-P0) Connection Instruction



INPUT: 90-277 Vac
0.6A_Max

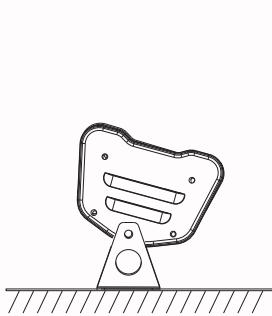
Waterproof Level: IP67
Material: NYLON
Withstand Voltage: 1500V
Contact Resistance: 5

Product Size

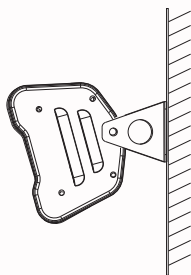


LED Module

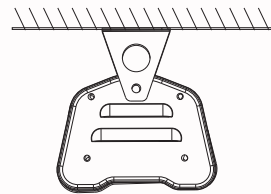
4-Way Installation



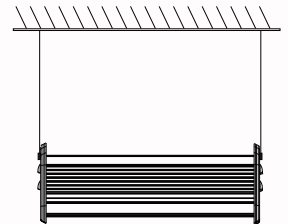
Ground Mounting Installation



Wall Mounting Installation



Ceiling Mounting Installation



Suspension Mounting Installation

Warning & Cautions

! WARNING

- Risk of electric shock
- Risk of burn injury

! CAUTION

- Unit will fall if not installed properly
- Long time eye contact from the vicinity will lead to temporary or permanent blindness