
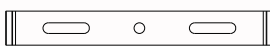



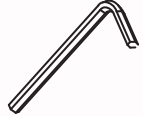
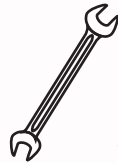
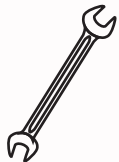





Accessory Package 4 (AP4)

<p>Ref#: AP- P1 Mounting Bracket</p>	<p>Ref#: AP4- P1 Connection Fitting</p>	<p>Ref#: AP4- P2 4-Module Waterproof Connection Cable</p>
  X 1	 X 2	 X 1
<p>Ref#: AP- T1 6mm Hexagonal Wrench</p>	<p>Ref#: AP- T2 5mm Hexagonal Wrench</p>	<p>Ref#: AP- T3 13-15mm Double-Headed Wrench</p>
 X 1	 X 1	 X 1
<p>Ref#: AP- T4 10-12mm Double-Headed Wrench</p>	<p>Ref#: AP- T5 Spare Screw Set</p>	
 X 1	 X 4	

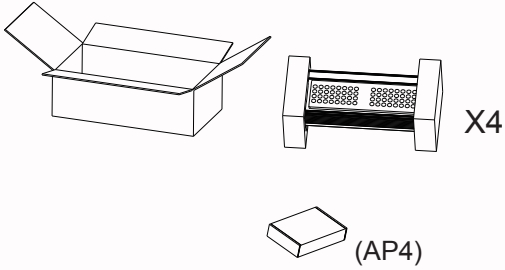
Optional Accessories (not included in AP4)

<p>Ref#: AP- PX Steel Hanging Rope</p>  X 6 Φ: 3.0mm Length: 100 cm	<p>Ref#: AP- P0 3-Pin Waterproof Cable Connector (welding free)</p>  X 1 *To connect input end of the fixture and output end of power grid
--	---

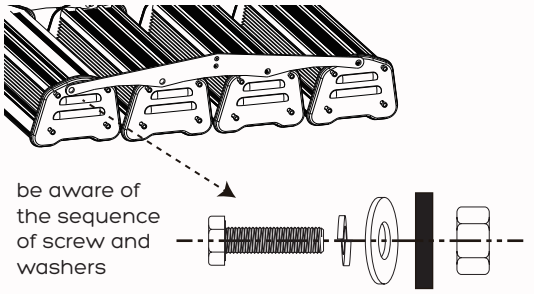
INSTALLATION INSTRUCTION

NOVA I 240W LED Modular Flood Light

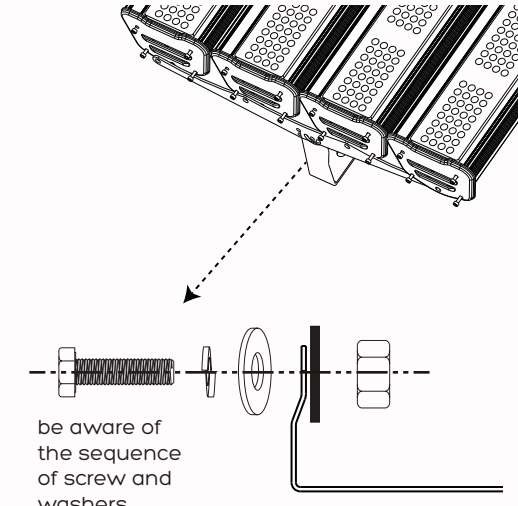
LED Module



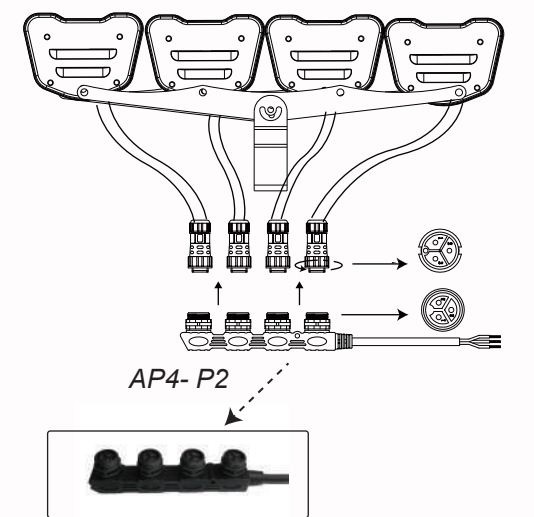
1 Get 4 standard 60W LED modules and Accessory Package 4 (AP4) ready.



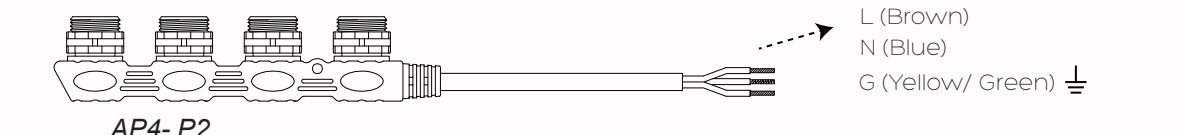
2 Release the screws on the LED module. Put 2 connection fittings (AP4-P1) in between and screw down.



3 Install the mounting bracket (AP-P1).

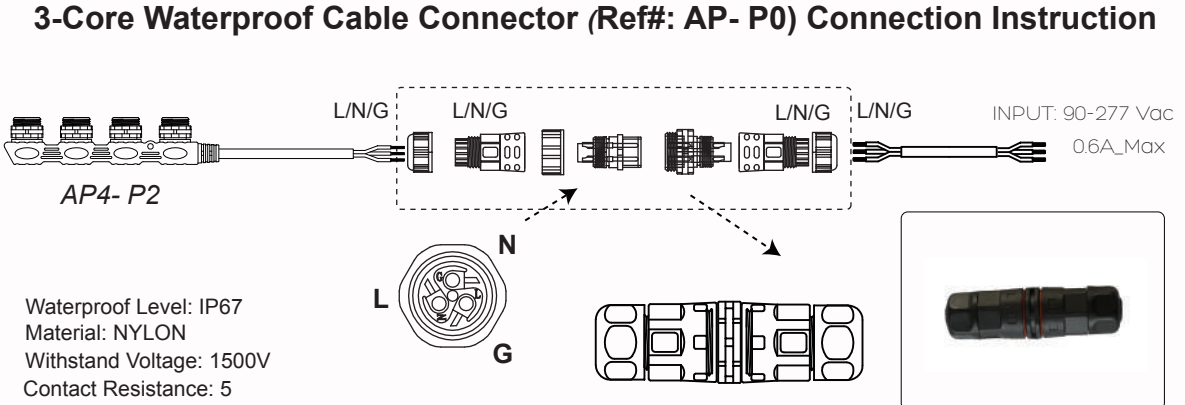


4 Attach each male connector on the modules to the 4-module waterproof connector cable (AP4-P2).



5 Connect the L/N/G wire of waterproof connector cable (AP3-P2) to the L/N/G wire of power line accordingly. Waterproof cable connector (AP-P0) is strongly recommend. Please contact our sales representative to order.

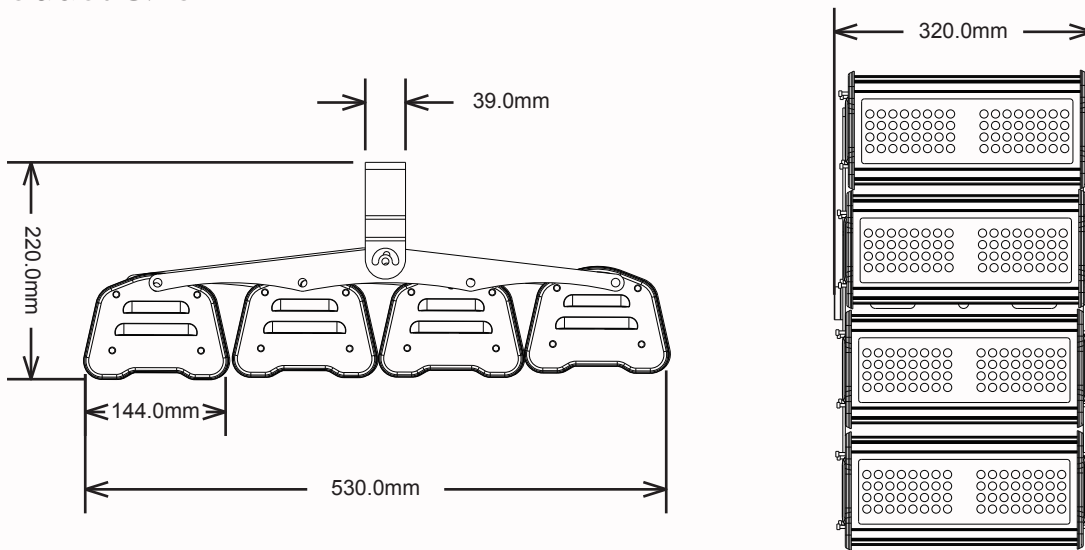
3-Core Waterproof Cable Connector (Ref#: AP- P0) Connection Instruction



Waterproof Level: IP67
Material: NYLON
Withstand Voltage: 1500V
Contact Resistance: 5

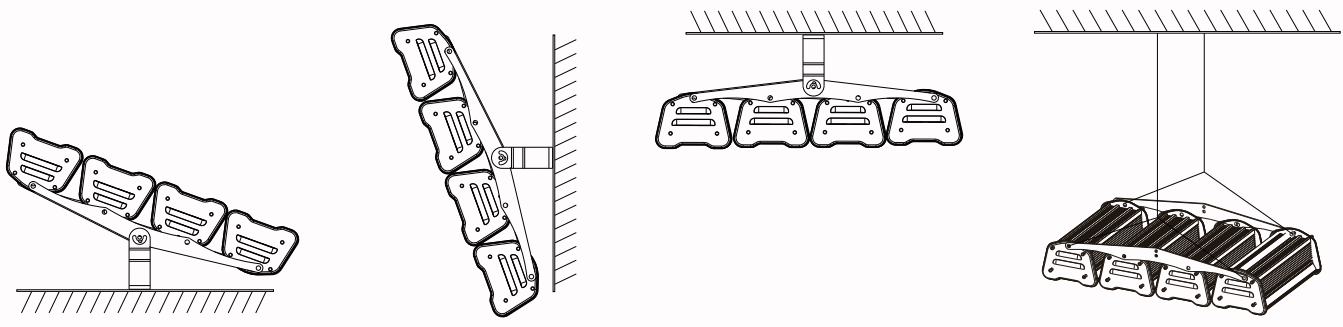
INPUT: 90-277 Vac
0.6A_Max

Product Size



LED Module

4-Way Installation



Ground Mounting Installation

Wall Mounting Installation

Ceiling Mounting Installation

Suspension Mounting Installation

Warning & Cautions

⚠ WARNING

- Risk of electric shock
- Risk of burn injury

⚠ CAUTION

- Unit will fall if not installed properly
- Long time eye contact from the vicinity will lead to temporary or permanent blindness

