

Accessory Package 3 (AP3)

Ref#: AP- P1

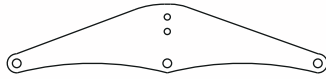
Mounting Bracket



X 1

Ref#: AP3- P1

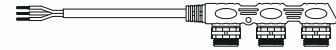
Connection Fitting



X 2

Ref#: AP3- P2

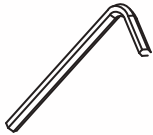
**3-Module
Waterproof Connection Cable**



X 1

Ref#: AP- T1

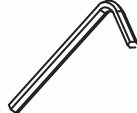
**6mm
Hexagonal Wrench**



X 1

Ref#: AP- T2

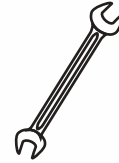
**5mm
Hexagonal Wrench**



X 1

Ref#: AP- T3

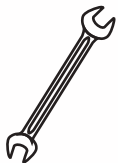
**13-15mm
Double-Headed Wrench**



X 1

Ref#: AP- T4

**10-12mm
Double-Headed Wrench**



X 1

Ref#: AP- T5

Spare Screw Set



X 4

Optional Accessories (not included in AP3)

Ref#: AP- PX

Steel Hanging Rope



X 6

Φ: 3.0mm Length: 100 cm

Ref#: AP- P0

**3-Pin Waterproof Cable Connector
(welding free)**

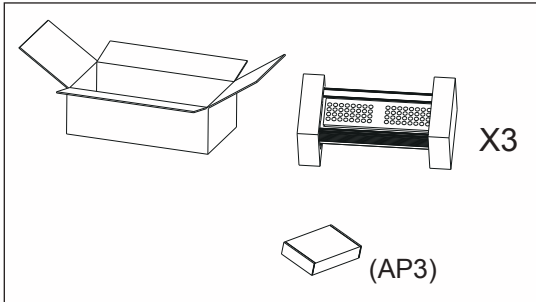


X 1

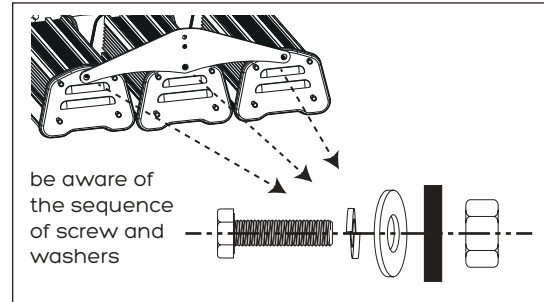
*To connect the input end of the fixture and the output end of power line (refer to next page for connection)

INSTALLATION INSTRUCTION

NOVA I 180W LED Modular Flood Light

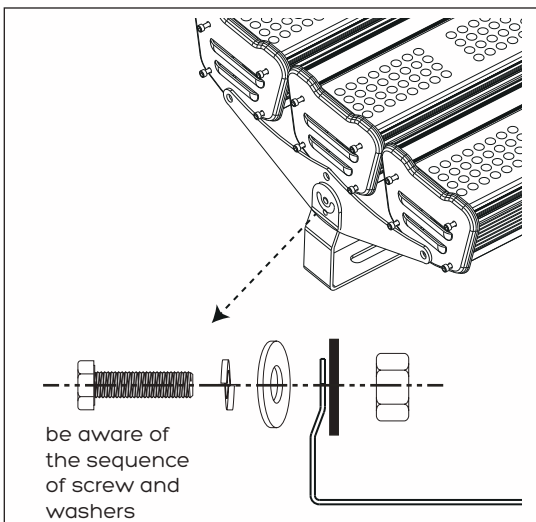


1 Get 3 standard 60W LED modules and Accessory Package 3 (AP3) ready.



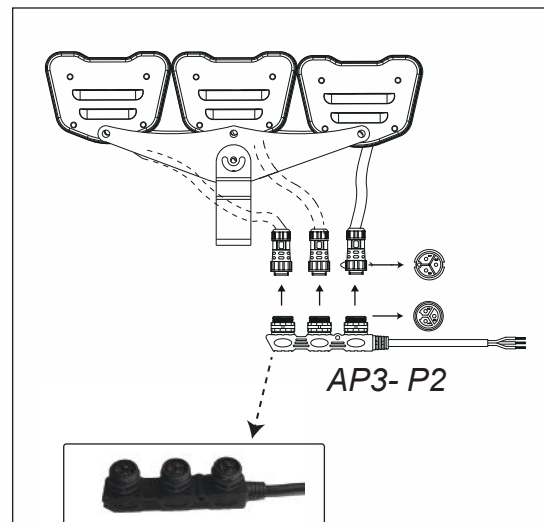
be aware of the sequence of screw and washers

2 Release the screws on the LED module. Put 2 connection fittings (AP3-P1) in between and screw down.

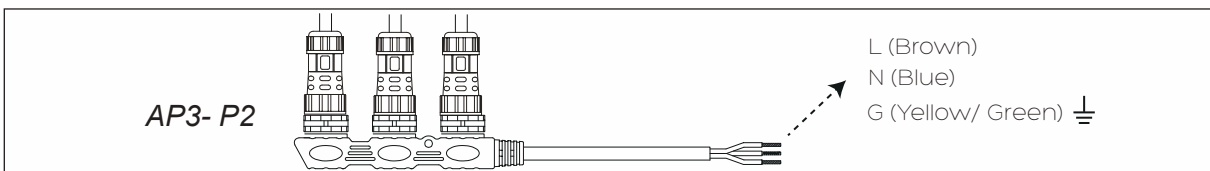


be aware of the sequence of screw and washers

3 Install the mounting bracket (AP-P1).



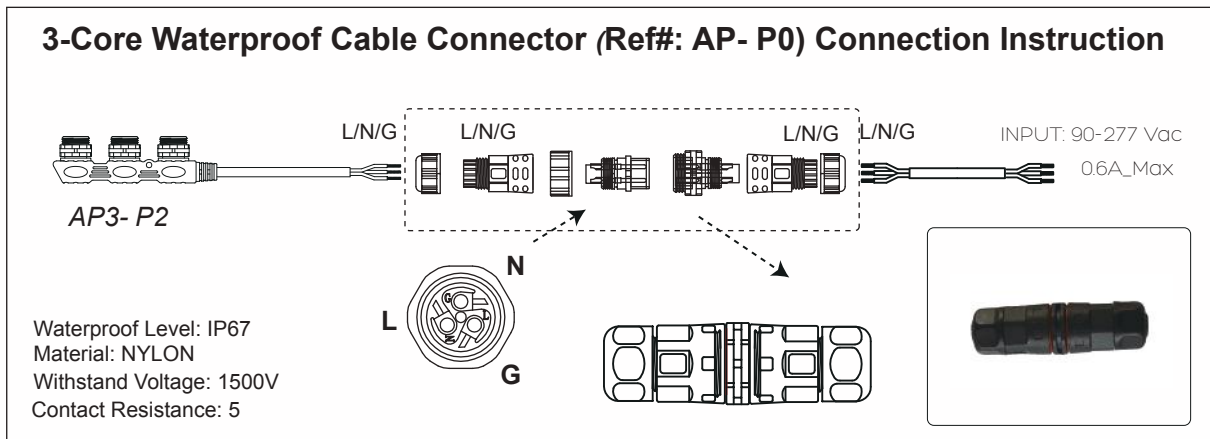
4 Attach each male connector on the modules to the 3-module waterproof connector cable (AP3-P2).



L (Brown)
N (Blue)
G (Yellow/ Green) ⊥

5 Connect the L/N/G wire of waterproof connector cable (AP3-P2) to the L/N/G wire of power line accordingly. Waterproof cable connector (AP-P0) is strongly recommend. Please contact our sales representative to order.

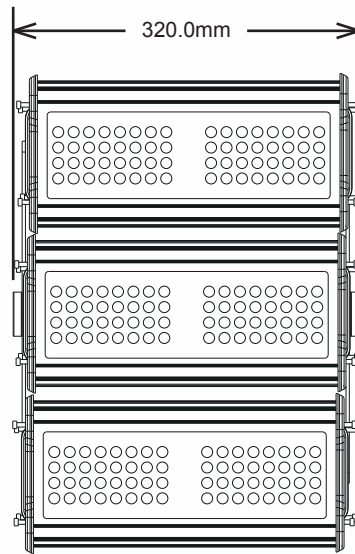
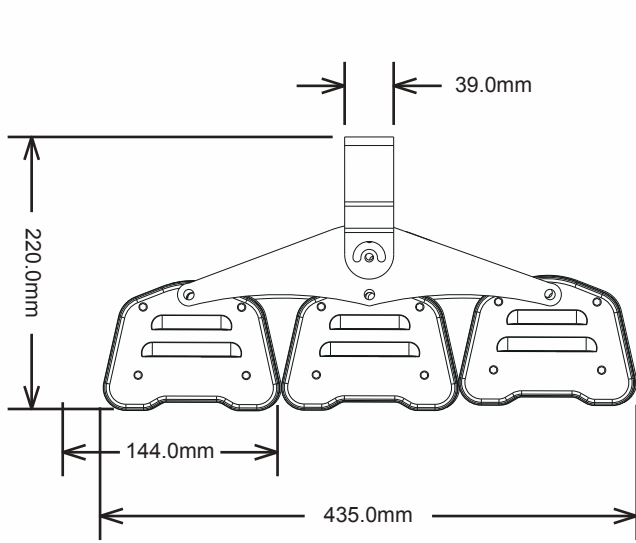
3-Core Waterproof Cable Connector (Ref#: AP- P0) Connection Instruction



Waterproof Level: IP67
Material: NYLON
Withstand Voltage: 1500V
Contact Resistance: 5

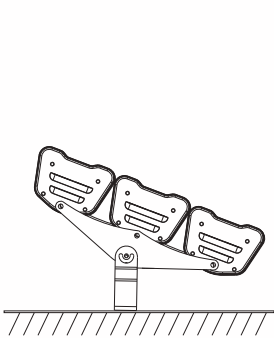
INPUT: 90-277 Vac
0.6A_Max

Product Size

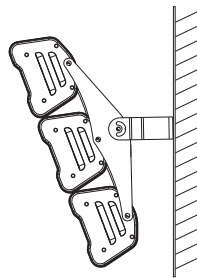


LED Module

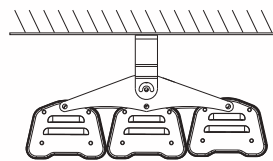
4-Way Installation



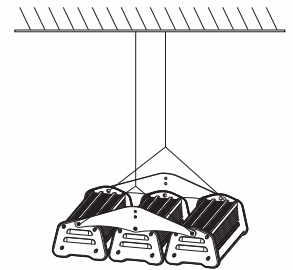
Ground Mounting Installation



Wall Mounting Installation



Ceiling Mounting Installation



Suspension Mounting Installation

Warning & Cautions

⚠ WARNING

- Risk of electric shock
- Risk of burn injury

⚠ CAUTION

- Unit will fall if not installed properly
- Long time eye contact from the vicinity will lead to temporary or permanent blindness